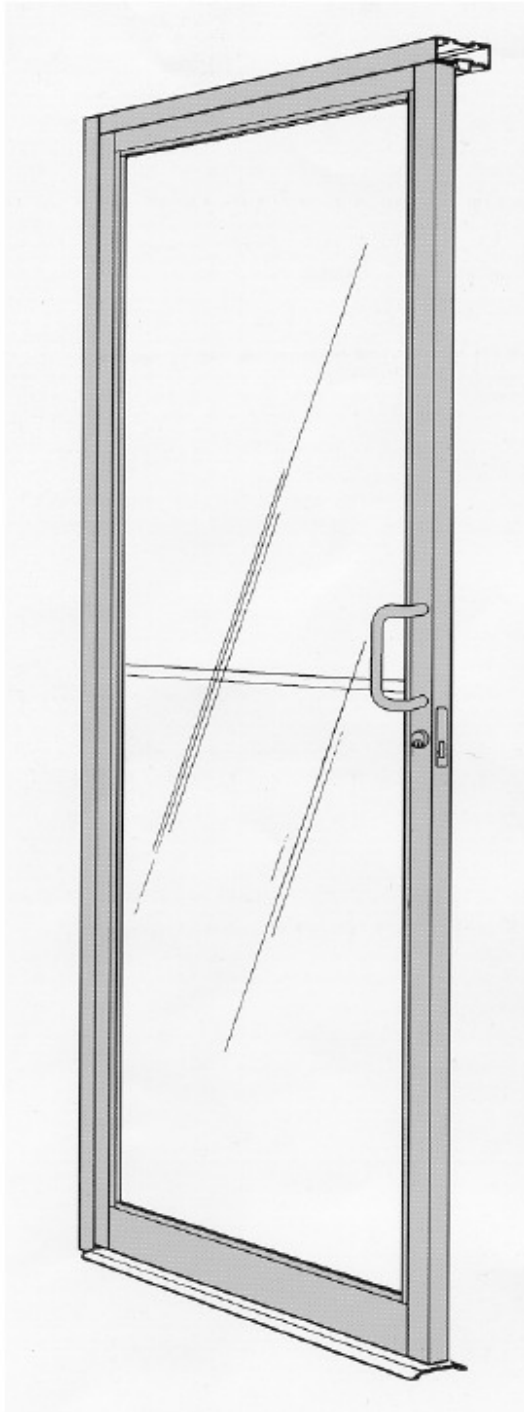


2.01
Standard Entrances
Description



2.02 Standard Entrances Guide Specifications

General

Description

Furnish all necessary materials, labor and equipment for the complete installation of aluminum entrance doors, door frames and hardware as shown on the drawings and specified herein.

Doors and frames shall be as manufactured by Tubelite Inc., Walker, Michigan. Whenever substitute products are to be considered, supporting technical literature, samples, drawings and performance data must be submitted ten (10) days prior to bid in order to make a valid comparison of the products involved.

Test reports certified by an independent laboratory must be made available upon request.

Product

Materials

Extrusions shall be of aluminum alloy 6063-T5 extruded within commercial tolerance and free from defects impairing strength and/or durability. Door stile and rail sections to be a minimum of .125 inch wall thickness. Door frame sections to be of .080 inch minimum wall thickness, with glazing and door moldings a minimum of .050 inch.

Steel tension rods of .375 inch diameter shall run the full width of the top and bottom rails and shall be fixed with steel plates and lock nuts.

Door glazing shall be by means of an interior and exterior fixed gasket of high quality extruded elastomeric material. Door frame members shall have a continuous wool pile/vinyl fin weatherstripping at the head and jamb members. Bottom rail weatherstrip at threshold optional (architect specify). Door stops shall be of snap-in design on butt hinge and offset pivot applications, eliminating use of exposed screws.

All door and frame members shall be accurately fitted to flush hairline joints.

All Stock (Narrow Stile) Doors shall have an adjustable setting block in the top rail.

Hardware

Stock Entrance Doors and Frames shall have standard hardware as furnished by Tubelite® as follows:

Butt Hinged Doors

- P 092 Mortised Ball Bearing Hinges
- P 1565 Push Bar
- P 1564 Pull Handle
- E 0019 1/2" x 4" Threshold
- P 1420 Deadbolt MS Lock
- P 1409 Lock Faceplate, or
- P 1408 Lock Faceplate (pairs of doors)
- * P 2100 Tubelite/LCN Surface Closer
- P 059 Flush Bolts (pairs of doors)

Offset Pivot Doors

- P 695 Top and Bottom Pivots
- P 1565 Push Bar
- P 1564 Pull Handle
- E 0019 1/2" x 4" Threshold
- P 1420 Deadbolt MS lock
- P 1409 Lock Faceplate, or
- P 1408 Lock Faceplate (pairs of doors)
- * P 2100 Tubelite/LCN Surface Closer
- P 059 Flush Bolts (pairs of doors)

Center Pivot Doors

- * P 970 Concealed Overhead Closer with Bottom Pivot
- P 1565 Push Bars
- E 0019 1/2" x 4" Threshold
- P 1420 Deadbolt Lock
- P 1409 Lock Faceplate, or
- P 1408 Lock Faceplate (pairs of doors)
- P 059 Flush Bolts (pairs of doors)

Special hardware for custom doors and entrances shall be specified by the architect. Hardware furnished by others shall be sent to the door manufacturer for application.

Finish

All exposed framing surfaces shall be free of scratches and other serious blemishes.

Finish to be: (architect select)

Etched and clear anodized
(AAM12C22A31) Class 2

Clear (OA)

(AAM12C22A41) Class 1

Clear (2A)

Electrolytically deposited color

(AAM12C22A44) Class 1

Champagne (4K)

Light Amber (2K)

Amber (1K)

Statuary Bronze (3K)

Black (OD)

Fluoropolymer painted color _____.

*Door closers are not included in standard door pricing. See Section 7 for door closer information.

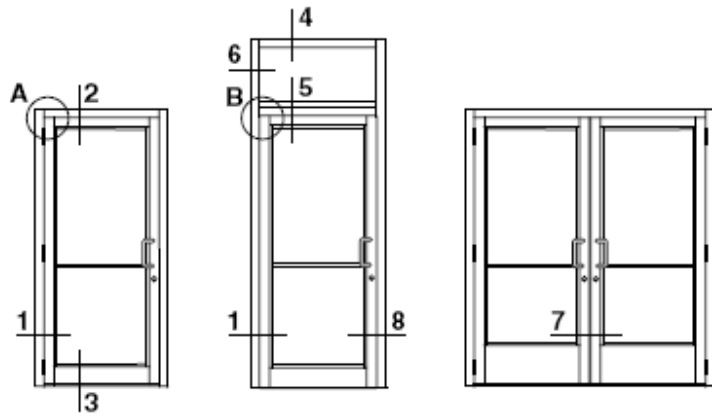
Execution

Installation

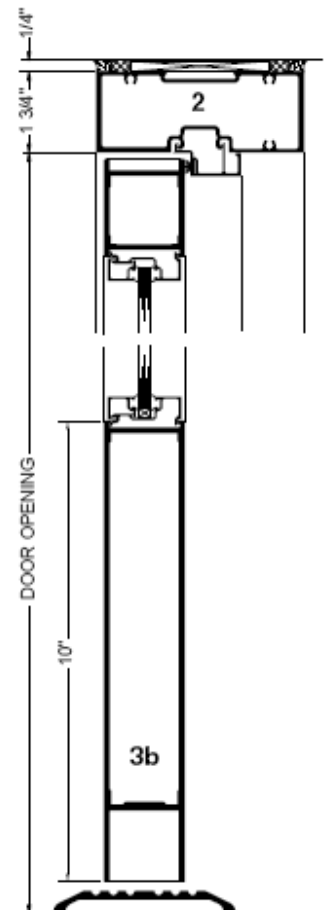
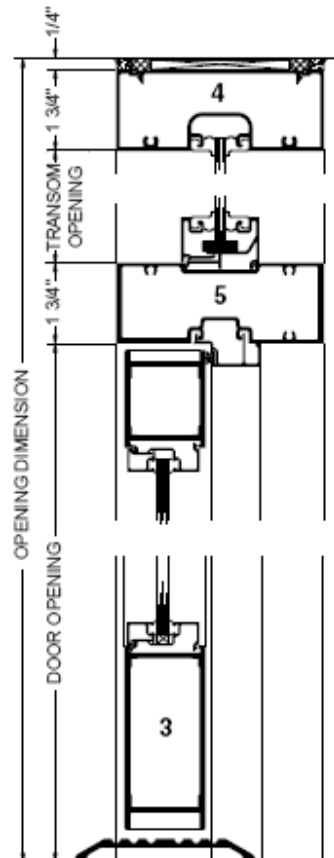
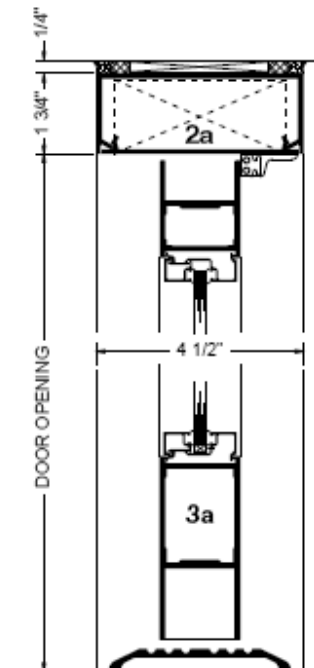
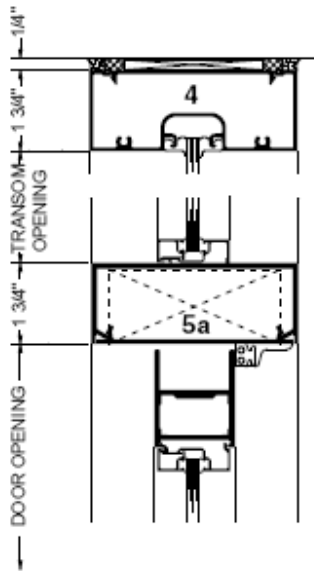
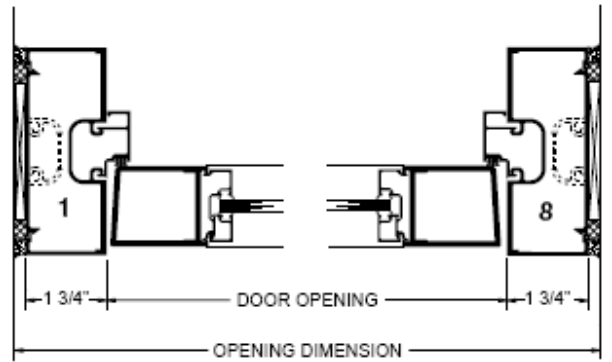
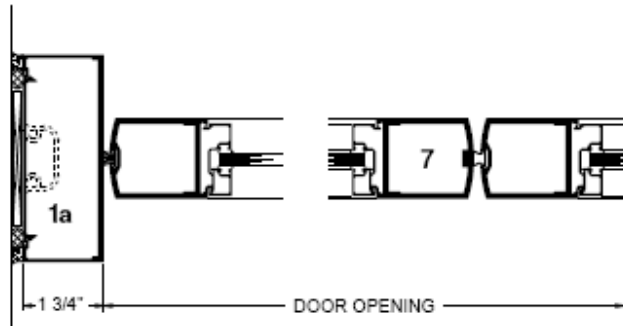
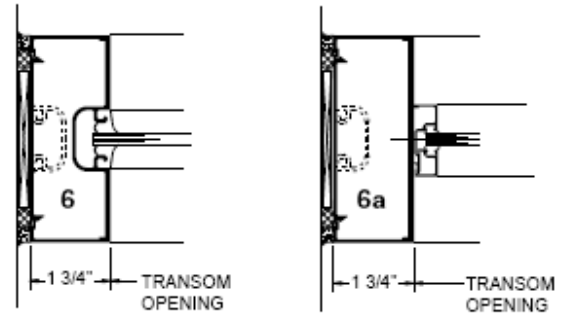
Shall be in accordance with the manufacturer's installation instructions and the approved shop drawings.

specifications are subject to change

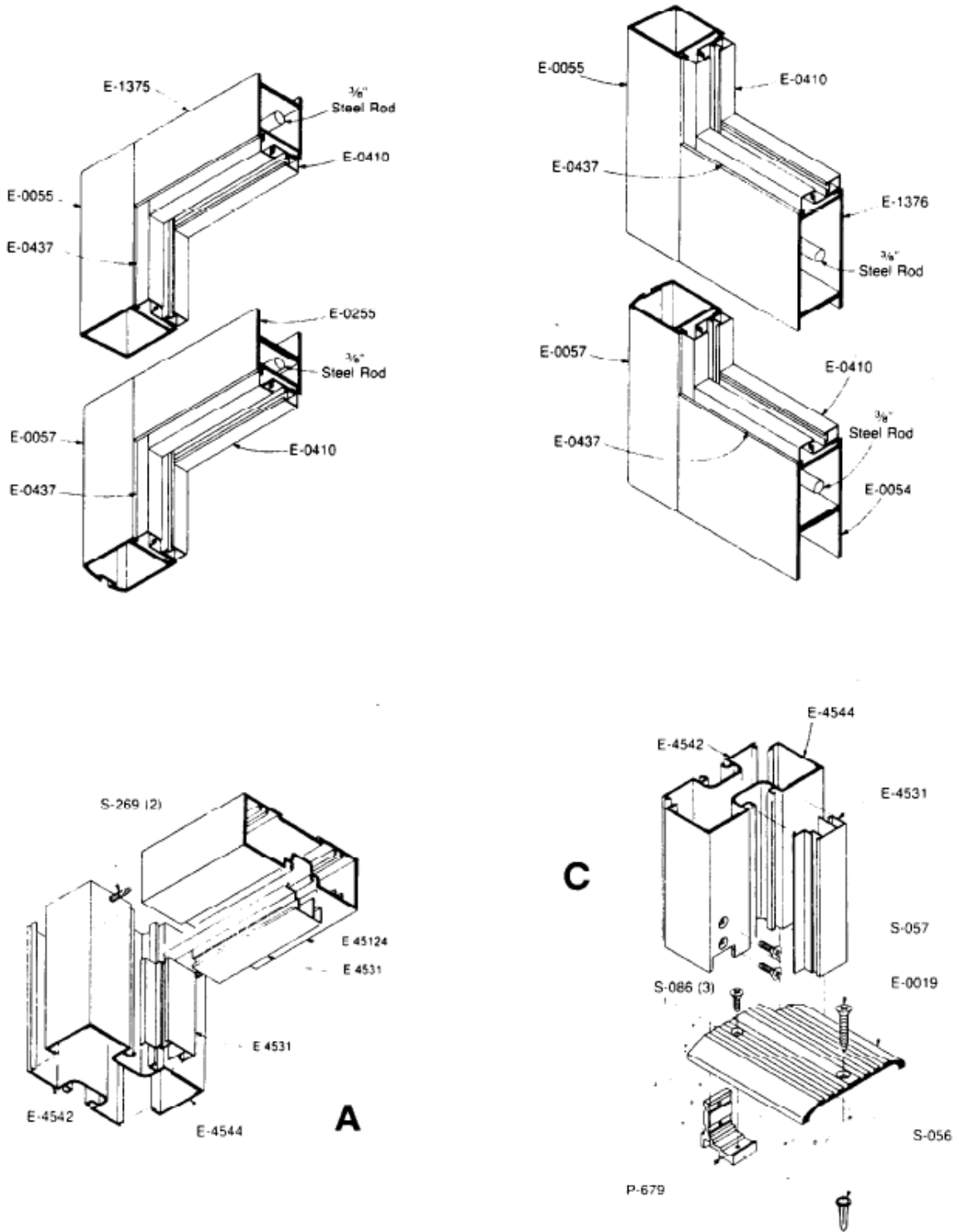
2.03 Standard Entrances Key Elevation & 1/4 Size Details



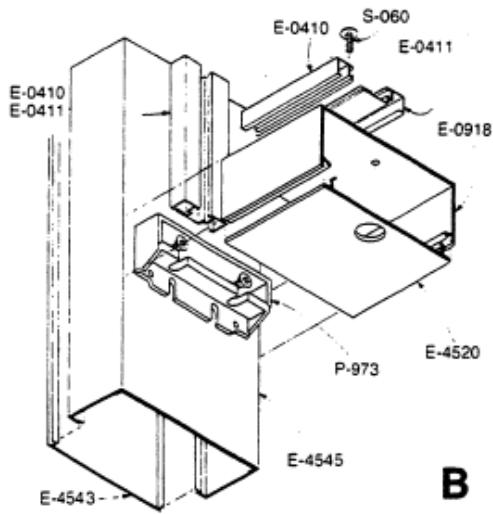
KEY ELEVATIONS



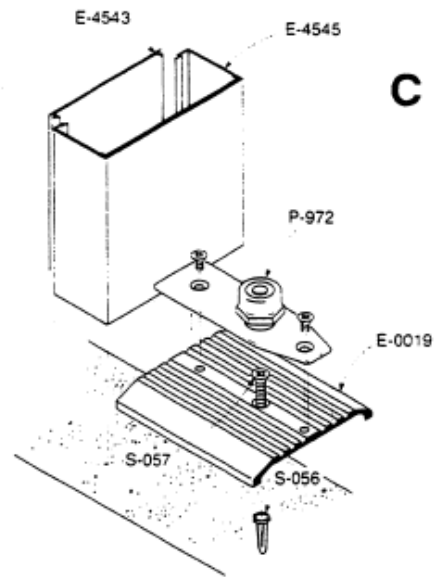
2.04 Standard Entrances Isometric Details



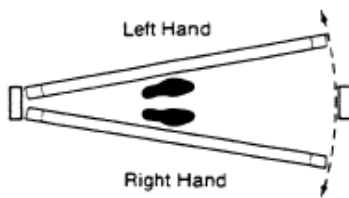
2.05 Standard Entrances Isometric Details



B



C



NOTE: Double acting doors are not handed.